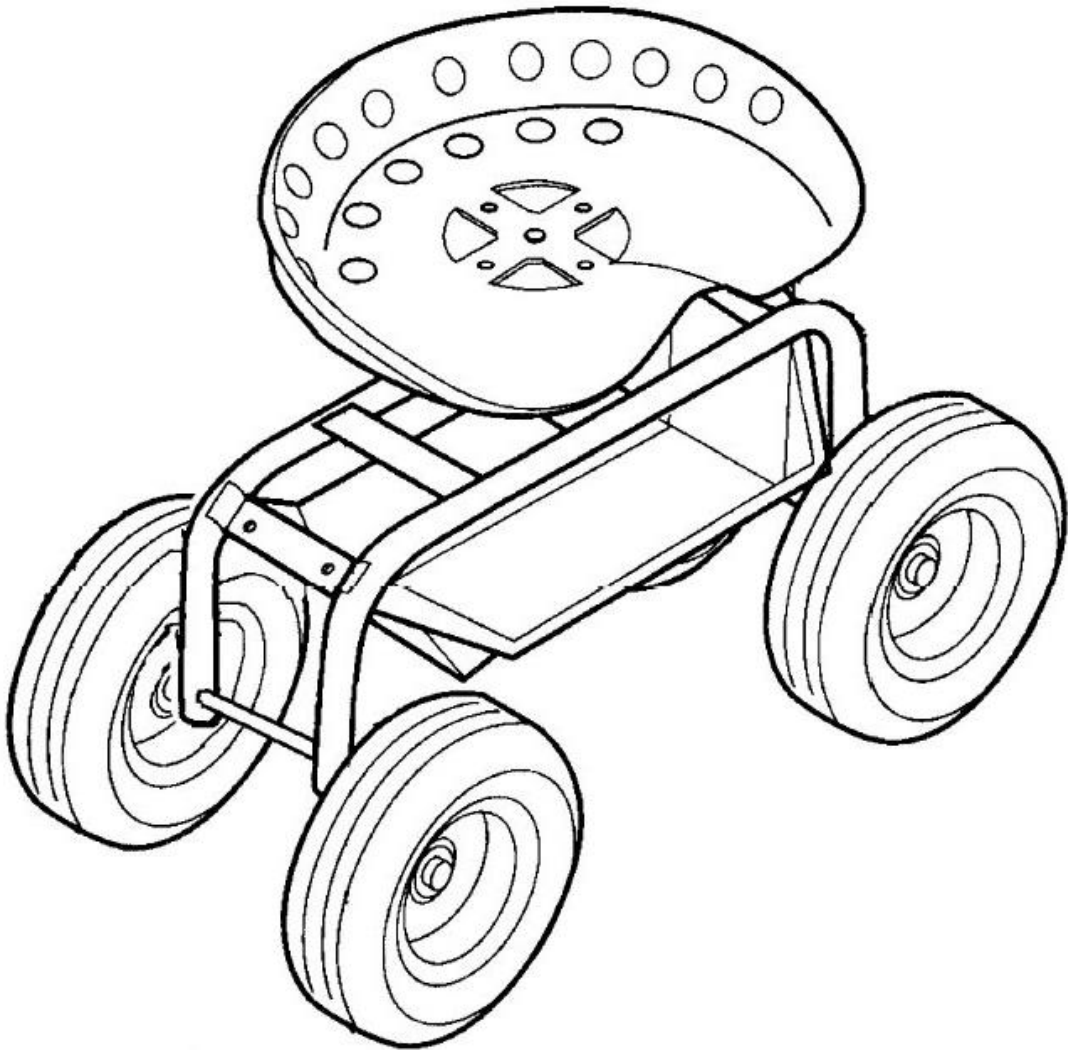


Rolling garden workseat

Instruction manual



Please read and follow all instruction before assembling or using this product.

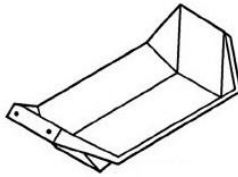
1. Assembly instructions

This product requires assembly. Please carefully remove all pasts and make sure you have all parts before beginning assembly (refer to the Parts List of the manual). Read these instructions completely before beginning assembly. Tools required for assembly are a straight slot screwdriver and a small wrench.

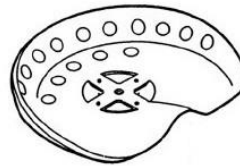
Parts List



Frame (1 pc)



Plastic Tray (1 pc)



Seat (1 pc)



Wheels (4 pcs)



Tray Reinforcing Plates
(2 pcs)



6mm Washers
(4 pcs)



6mm Nuts
(4 pcs)



6 x 12mm Bolts
(4 pcs)



Tray Bracket
(1 pc)



10mm Washers
(4 pcs)



10mm Nuts
(4 pcs)



10 x 15mm Bolts
(4 pcs)



Axles (2 pcs)



12mm Washers
(8 pcs)



Cotter Pins (4 pcs)

2- How to assembly:

Step 1:

- Place the frame as shown in the figure 1.
- Attach Plastic tray to the tray brackets using the tray reinforcing plates, 4 pcs 6 x 12mm Bolts, 6mm nuts washers and 6mm nuts

Step 2

Slide axles into the frame. Slide a 12mm Washer onto each Axles, then mount wheels (with valve stem facing out) onto all Axles, later slide another 12mm washer onto the Axle again , finally secure with a cotter pin through the ore-drilled on all ends of the Axles. Make sure to spread the cotter Pins open.

Step 3

Attached the seat to seat post with 4 pcs 10 x 15mm bolts, 10mm washers and 10mm Nuts. Then you can adjust the seat height by rotating seat.

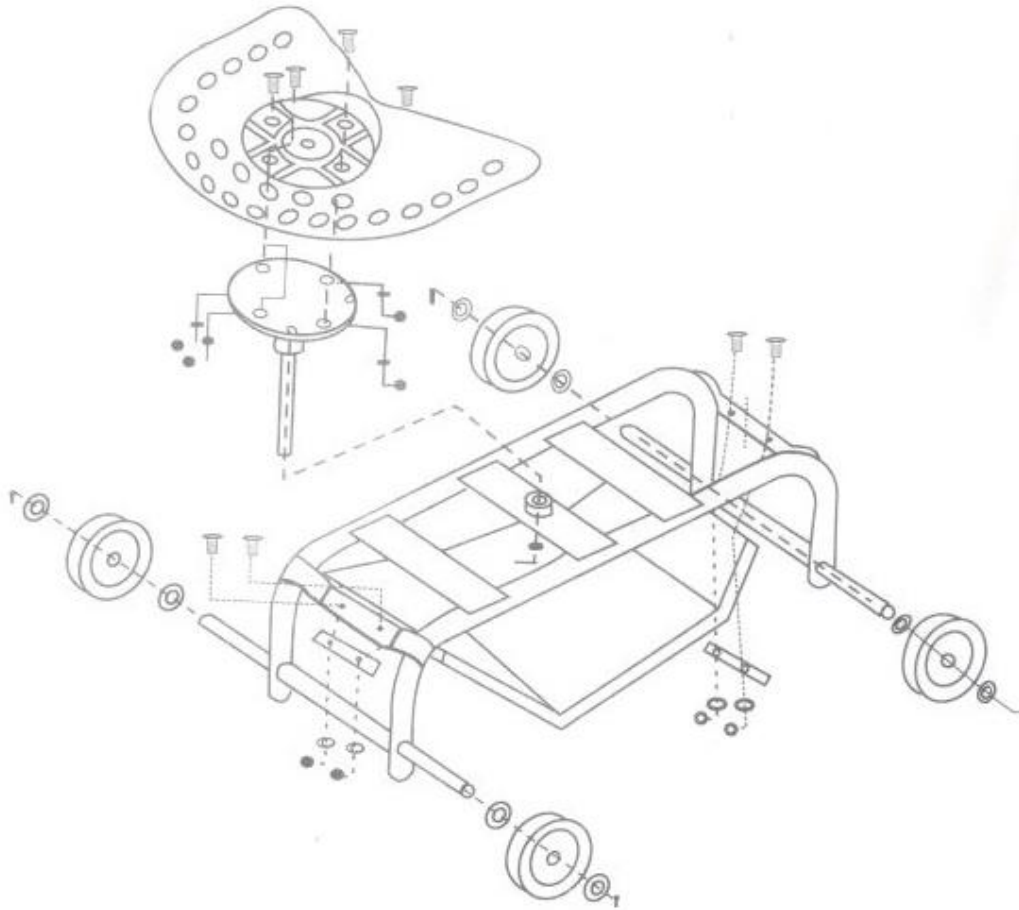


Figure 1

Safety instruction:

This is not a toy not for use by children

- Do not overinflate tires- maximum pressure is 30PSI
- Do not use on clines, work seat may tip
- Do not load your seat with more than 150 kgs
- Do not load plastic tray with more than 2.3 kgs
- Do not operate if any part is damaged or broken.

DISPOSAL:

The packaging material is reusable. Dispose of the packaging in an environmentally friendly way by putting it in the appropriate recyclable waste collection containers.

Eurotops Versand GmbH
Elisabeth-Selbert-Straße 3
40764 Langenfeld, Germany



If technical support is needed, please call ...

in Germany 0180 . 530 63 63* or info@eurotops.de

in Austria 01 . 230 60 43 12 or info@eurotops.at

in Switzerland 044 . 28 36 125 or info@eurotops.ch

in the Netherlands 026 . 37 36 333 or info@eurotops.nl

in France 0892 . 700 470** or info@eurotops.fr

* 14 Cents/minute via German landline, max. 42 cents/minute via mobile phone network

**34 Cents/minute via French landline

A possible return of products should be addressed to the return address stated on your invoice.

The manual only reflects the technical conditions available under printing. Any changes in technology and equipment are reserved.

© 17.09.2013